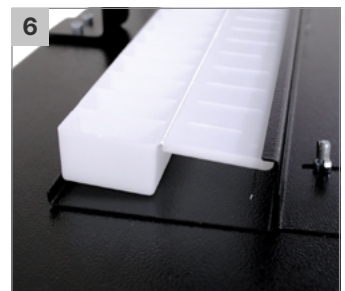
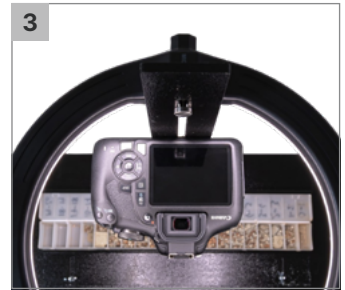
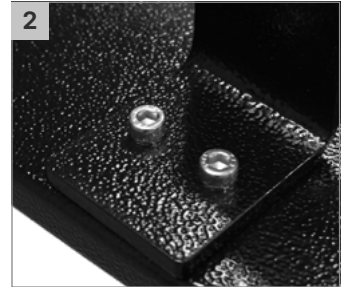
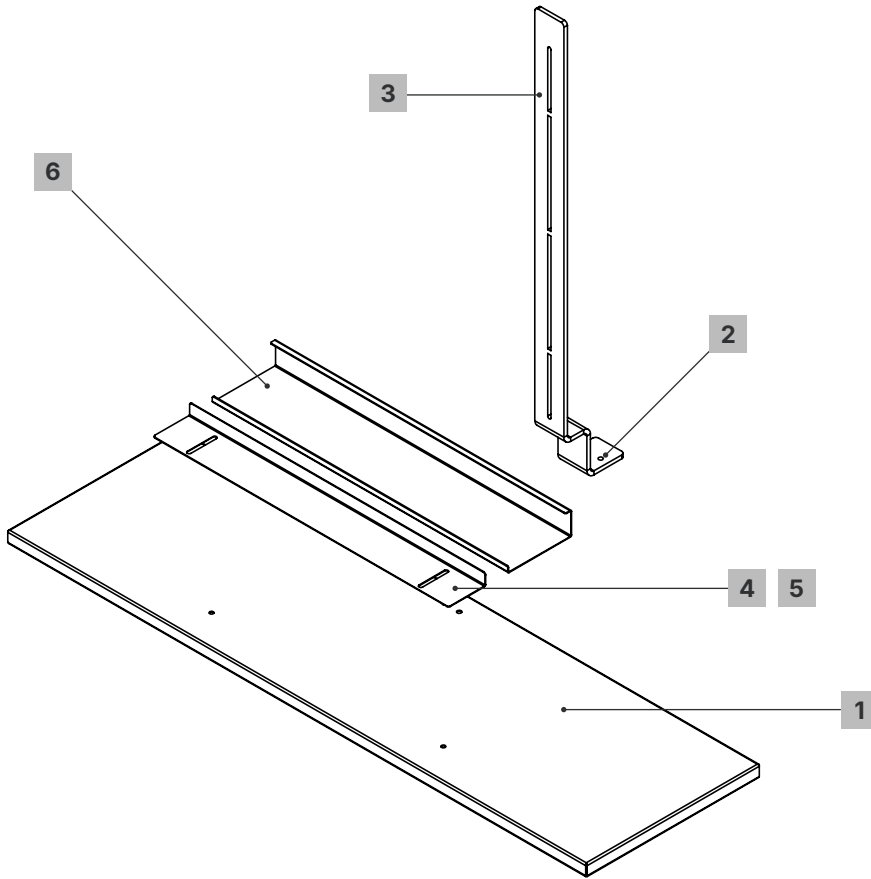


Assembly Instruction



Base Parts

1. Base
2. Screw and Bolt x2
3. Camera Stand
4. Chip Tray Guide
5. Wing Nut x2
6. Chip Tray Lid Holder
7. Camera Adapter with Flathead Screw* 1/4 inch

* For best outcome, replace the adapter screw with the flathead screw included in the package (pic 7)

